



Vicat Testers Manual

General

Vicats consists of three main components:

1. A frame with base, upright and graduated scale
2. A plunger assembly with needle(s), weight(s) and adjustable indicator
3. An appropriate mold and glass plate



Unpacking

Unpack all equipment carefully to prevent loss of small items or manuals. Notify us if there is any damage to the machine.

Assembly & Set Up

Place the vicat test frame on a stable, vibration free surface. The instrument should be checked and adjusted when received, using a reference material of known consistency for the test.



Operation/Consistency Determination

After molding the sample as directed by the application specification, center the sample under the plunger and bring the two in contact. Loosen the knurled by adjusted the screws on the plunger and indicator if adjustment is needed. Release the plunger within the allotted time after mixing and take a reading at the specified time.

Use different percentages of water or fluids to make trial cement pastes or other specimens to obtain the target consistency. Use fresh material when making each specimen. Calculate and report the required mix values. Refer to the applicable agency test standard for complete requirements.

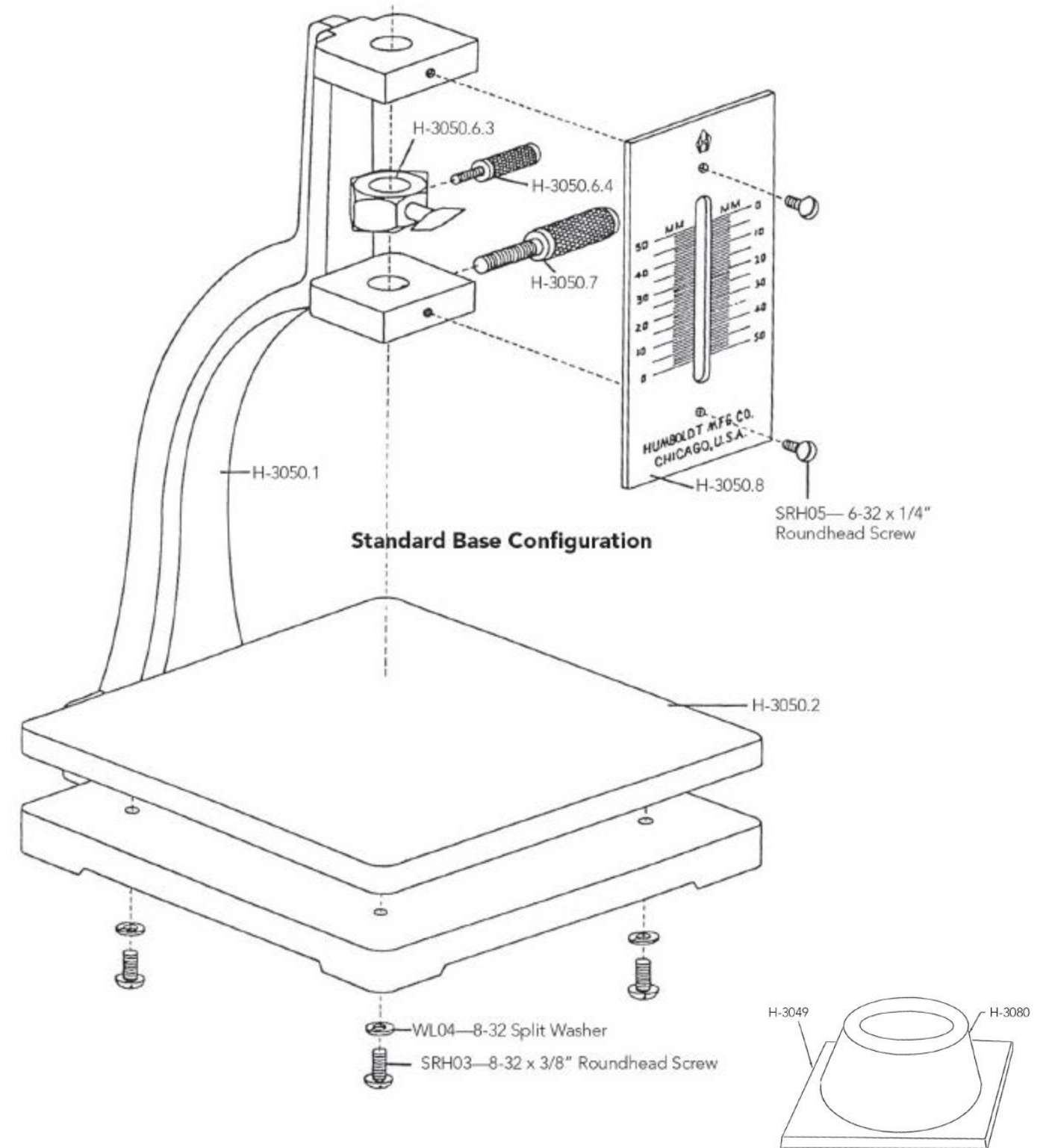
Maintenance

Frequent cleaning of the plunger to prevent sluggish or sticky movement is recommended. Dry wiping of the plunger with a lint free cloth will usually suffice, isopropyl alcohol can be used if needed to remove gummy deposits. DO NOT apply any type of lubricant to the spindle. Clean the scale by using a dampened soft cloth with mild detergent.

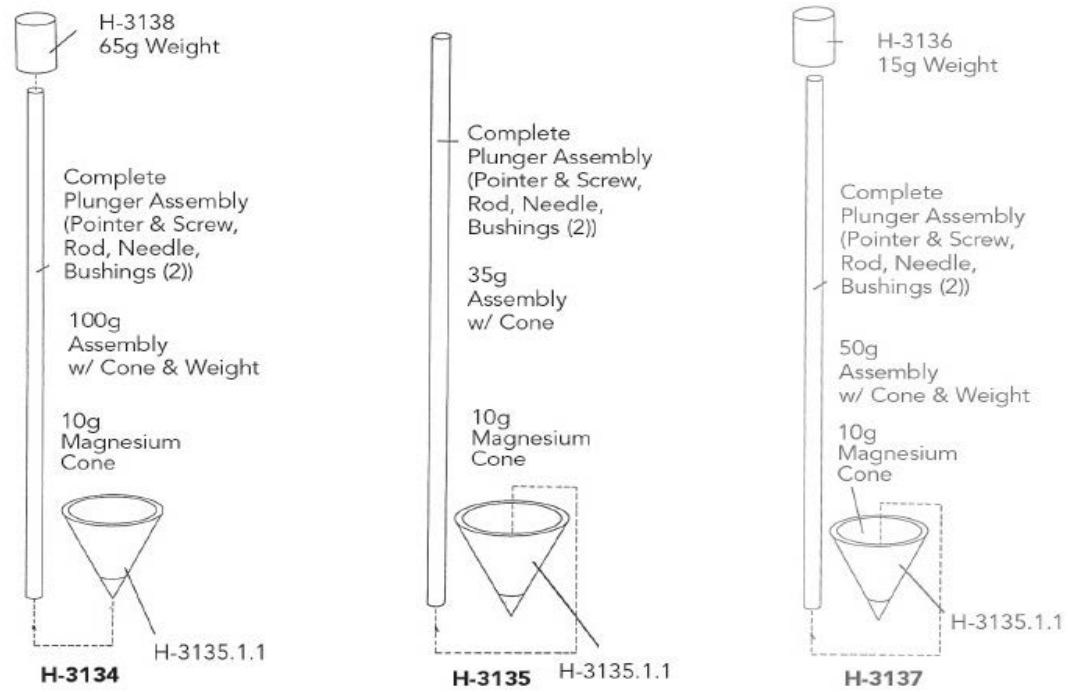
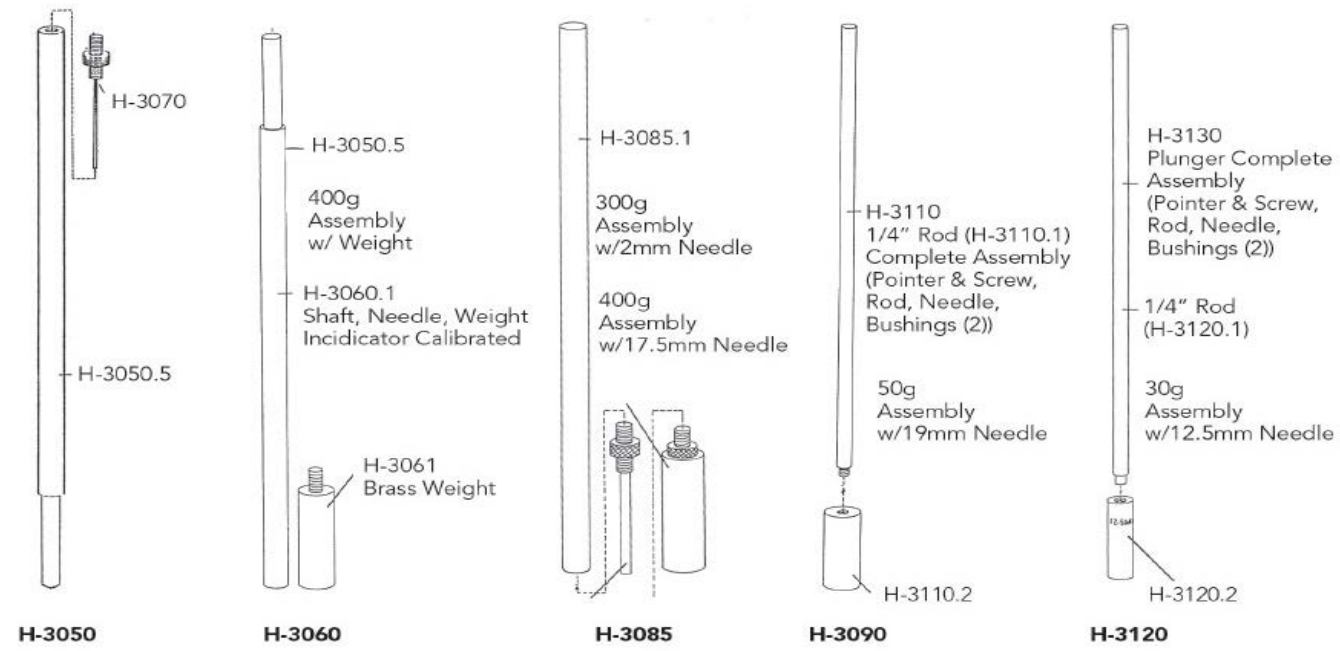
Note: Use of aromatic solvents could cause damage to the device.



Standard Base Configuration for all Vicats (Except the H-3133)



Plunger, Needle, Weight and Cone Configurations



H-3133 Components & Parts

